

North East SolidWorks User Conference

Introduction to 3DVIA Composer

Rakesh Keswani

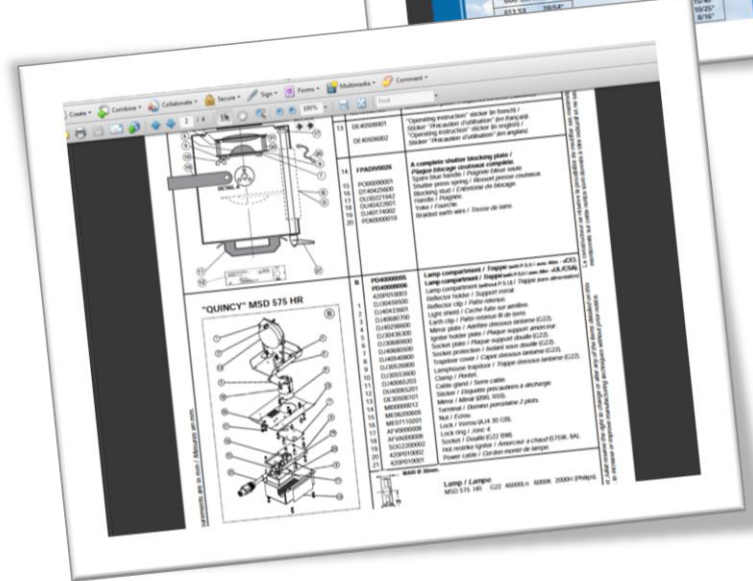
Global Product Manager

Dassault Systèmes SolidWorks Corp.

- Few questions about repurposing 3D?
 - Why, Who, Where, How?
- 3DVIA Composer overview
- Best practices for becoming 3D Evangelist

- Product documentation
 - Product Manuals
 - Marketing brochures
 - Assembly Instructions
 - Repair procedures

- Product Videos
 - Sales and Marketing videos
 - Training
 - “Do-it-yourself”



- Who creates documentation and videos content?
 - Design Engineers
 - Documentation specialist
 - Process Engineers
 - Technical Marketing

- Who consumes information?
 - Customers
 - Sales reps
 - Shop floor
 - Field service engineers

- What requests do engineers get?
 - *Exploded view with balloons and BOM*
 - *Screen capture, Rotate a bit and do it again*
 - *Revised images with changed labels / BOM*
 - *Hide few more components and capture image again*
 - *Change color and redo image*
 - *Create animation for sales presentation? Update it for every call?*

- How does it impact the company?
...impact you?

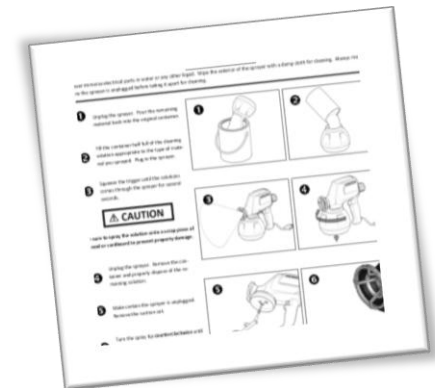
- Few questions about repurposing 3D?
 - Why, Who, Where, How?
- 3DVIA Composer overview
- Best practices for becoming 3D Evangelist

- Tool to repurpose 3D for **technical communication**
 - Printed documents: *Manuals, Work instructions*
 - Interactive animations: *Marketing, Training*



- **Benefit:**

1. Win more business
2. Faster to market
3. Higher quality



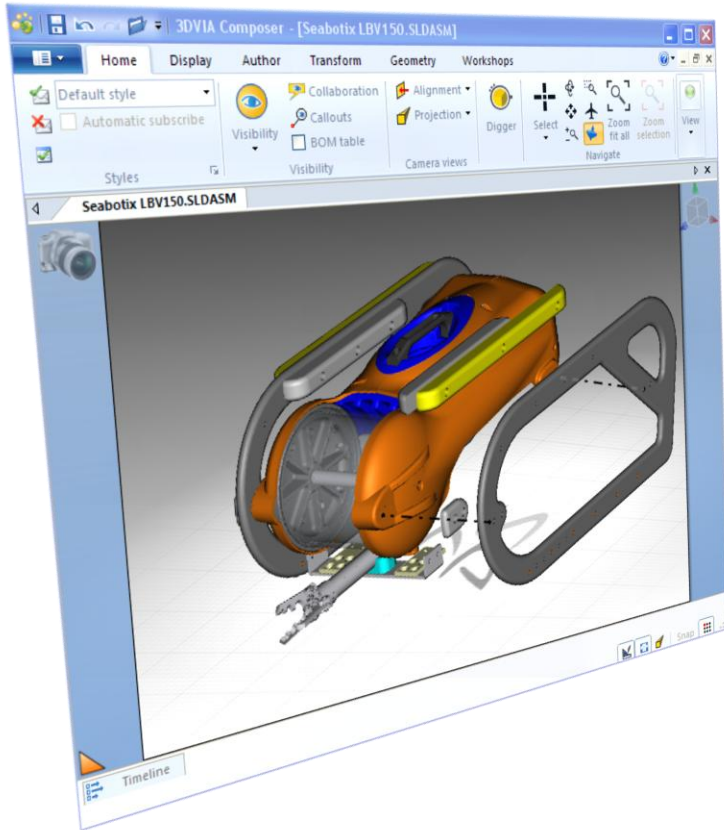
- By enabling **Better documentation, Concurrent to design**

* No CAD knowledge required

Used across the organization:

- Manufacturing, Service,
- Engineering
- Marketing
- Training

How does it work?



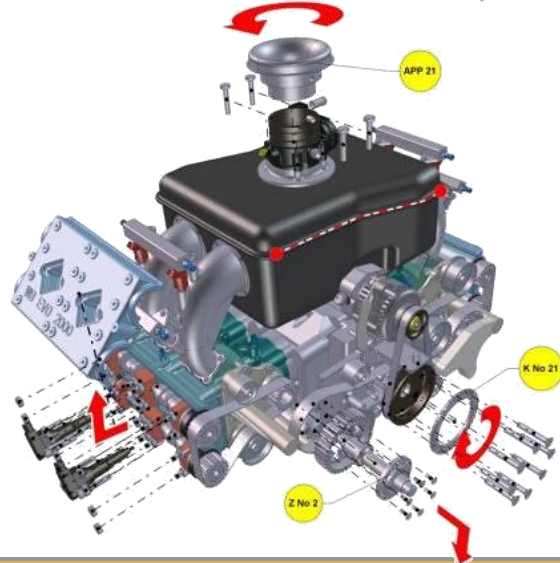
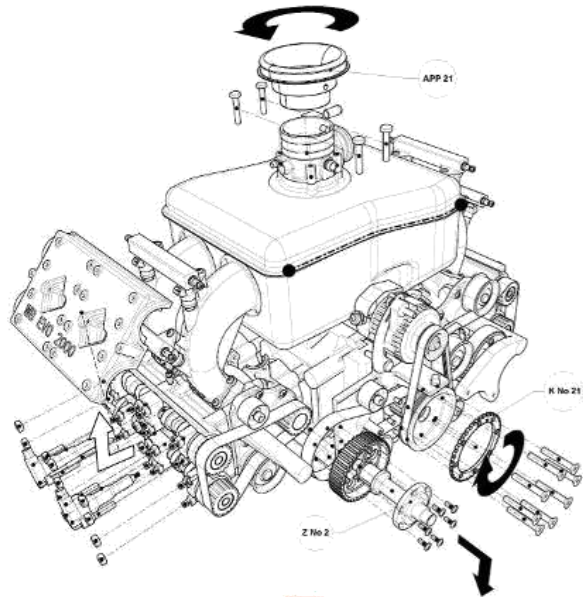
Work directly on read-only 3D models



Create documentation content



Seamlessly update as design changes



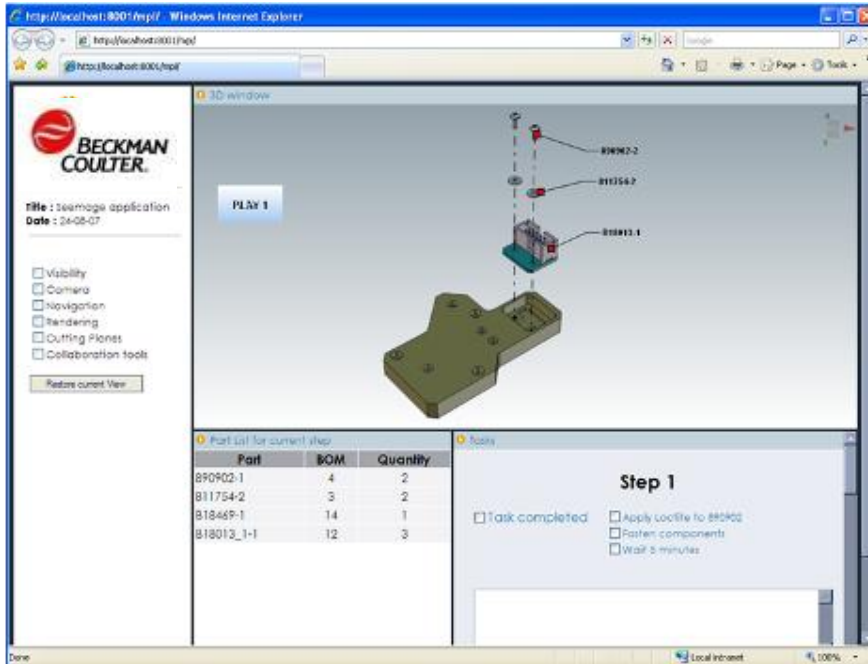
- Product graphics from 3D Data
 - Vector line art for Illustrations
 - Raster images for Catalogs, Manuals
- Auto-update graphics with latest engineering changes
- Reduce creation time by 50%

- Replace 2D drawings
- Fast and easy animations
- Increase manufacturing productivity
- Faster production at lower cost

- Replace text with graphics
- Interactive 3D animations
- Lower cost of documentation
- Lower costs of warranties



2



- **Customer Usage:**
 - “Interactive assembly instructions”
 - Custom HTML application
- **Benefits:**
 - ✓ 50% **faster** Documentation
 - ✓ Design changes rolled in **minutes**
 - ✓ Assembled **right first time**
 - ✓ **Eliminated** Training costs



~~Current time to create doc from 10 minutes to 15 minutes~~ → Eliminated

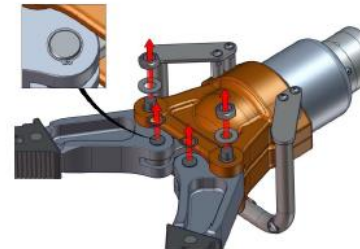


Jaws Removal & Replacement



1. To remove the Jaws from the Holmatro 4240 Spreader, you must first relieve all pressure from the system by removing the CORE connection plug from the back of the Spreader unit. Make sure there is no excess oil in the system prior to removing the Jaws.

2. Spread the Jaws of the Spreader unit by first turning the Control Handle to the full right position. This will open the internal valve allowing the Jaws to be spread by hand. Once in position, release the Control Handle to lock the Jaws in place. This will keep the Arms from moving during maintenance.



3. Flip the Spreader Assembly over onto its "back" side revealing the Jaw Pivot retaining clips and nuts on the bottom of the Spreader Assembly. Remove the retaining clips using a pair of needle nosed pliers or clip removal tools. Remove the nuts attached to the main pivot pin.

4. Flip the Spreader over onto its "front" side. Remove the (4) pins from the top side. Check each pin for excessive wearing or scratches, replacing where necessary.



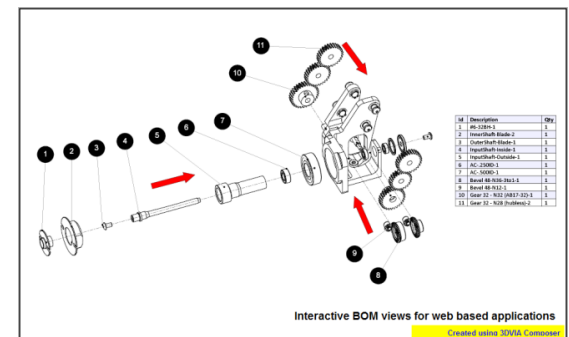
svg - Windows Internet Explorer
 C:\Users\rkeswan\\Desktop\NEWSUC Demo\Holmatro Demonstration 2011\Vignettes\3DVIA Composer\4240.html

Part Number	Description	Qty
4240-01	Yoke, Machined	2
4240-02	Master Control Assembly	1
4240-03	Piston Assembly	1
4240-04	Plunger Assembly	1
4240-05	Stop Ring Seal Assembly	1
4240-06	Arm Assembly	2
4240-07	Arm Pivot Pin	2
4240-08	Link Pin	2
4240-09	Plunger Yoke Pin	2
4240-10	Plunger Arm Link	2
4240-11	Washer, Pivot Pin	2
4240-12	Nut, Lock, Pivot Pin	2
4240-13	Retaining Ring, Lock Pin	4
4240-14	Handle Assembly	1
4240-15	Bushing, Handle Screw Mount	4
4240-16	Screw, Handle Mount	4

Computer | Protected Mode: Off 100%

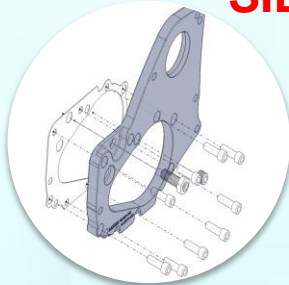
- Few questions about repurposing 3D?
 - Why, Who, Where, How?
- **3DVIA Composer overview**
- Best practices for becoming 3D Evangelist

- Solution: Repurpose 3D across the organization
- Benefit:
 1. Win more business ...by presenting new products better
 2. Increase customer satisfaction ...with quality documentation
 3. Deliver faster to market ...despite frequent design changes
- How: Use tools that allow repurposing 3D



How to be a 3D Evangelist?

SIDE = Share, Impress, Deliver, Encourage



Share

Interactive experience

- eDrawings
- 3DVIA Composer Player



Impress

with better images

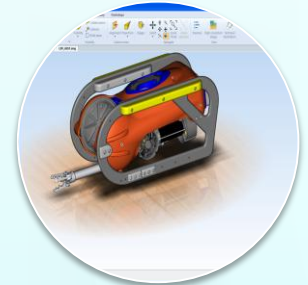
- Tech documentation
- Marketing



Deliver

Interactive “Design intent”

- Manufacturing
- Service



Encourage

try “Simplified 3D software”

- PhotoView 360
- 3DVIA Composer

- Few questions about repurposing 3D?
 - Why, Who, Where, How?
- 3DVIA Composer overview
- **Best practices for becoming 3D Evangelist**

North East SolidWorks User Conference

Introduction to 3DVIA Composer

Rakesh Keswani

Global Product Manager

Dassault Systèmes SolidWorks Corp.